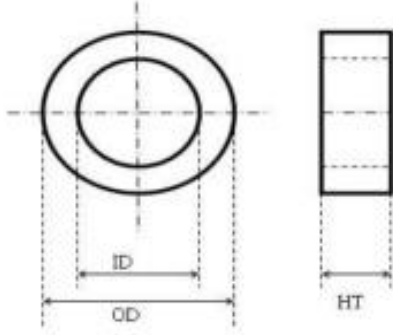


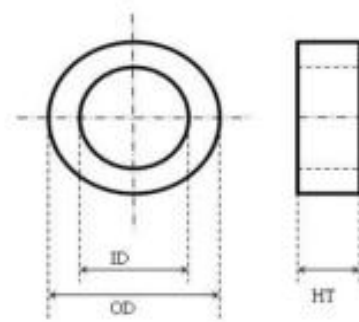


## HF-T Series Nanocrystalline core for HF & High Impedance CMCs

1. Core Dimension



2. Case Dimension



P/N	Bare Core Size (mm)	Weight (g)	100KHz,0.3V	
			AL ( uH ) ( 100KHz ) ±30%	Magnetic permeability ( 100KHz ) ±30%
HF161008T	16/10*8	5.5	15.9	28000
HF211508T	21/15*8	7.6	11.9	29000
HF251510T	25/15*10	17.6	23.4	30000
HF241710T	24/17*10	13	15.8	30000
HF281810T	28/18*10	20	19.4	30000
HF281815T	28/18*15	30.5	30	30000
HF302010T	30/20*10	22	18.5	30000
HF322015T	32/20*15	41.3	32	30000
HF332015T	33/20*15	46	32.8	29000
HF402515T	40/25*15	64	31	29000
HF462725T	46/27*25	153	58.9	29000
HF503220T	50/32*20	130	39.3	29000
HF594020T	59/40*20	165	34.4	29000